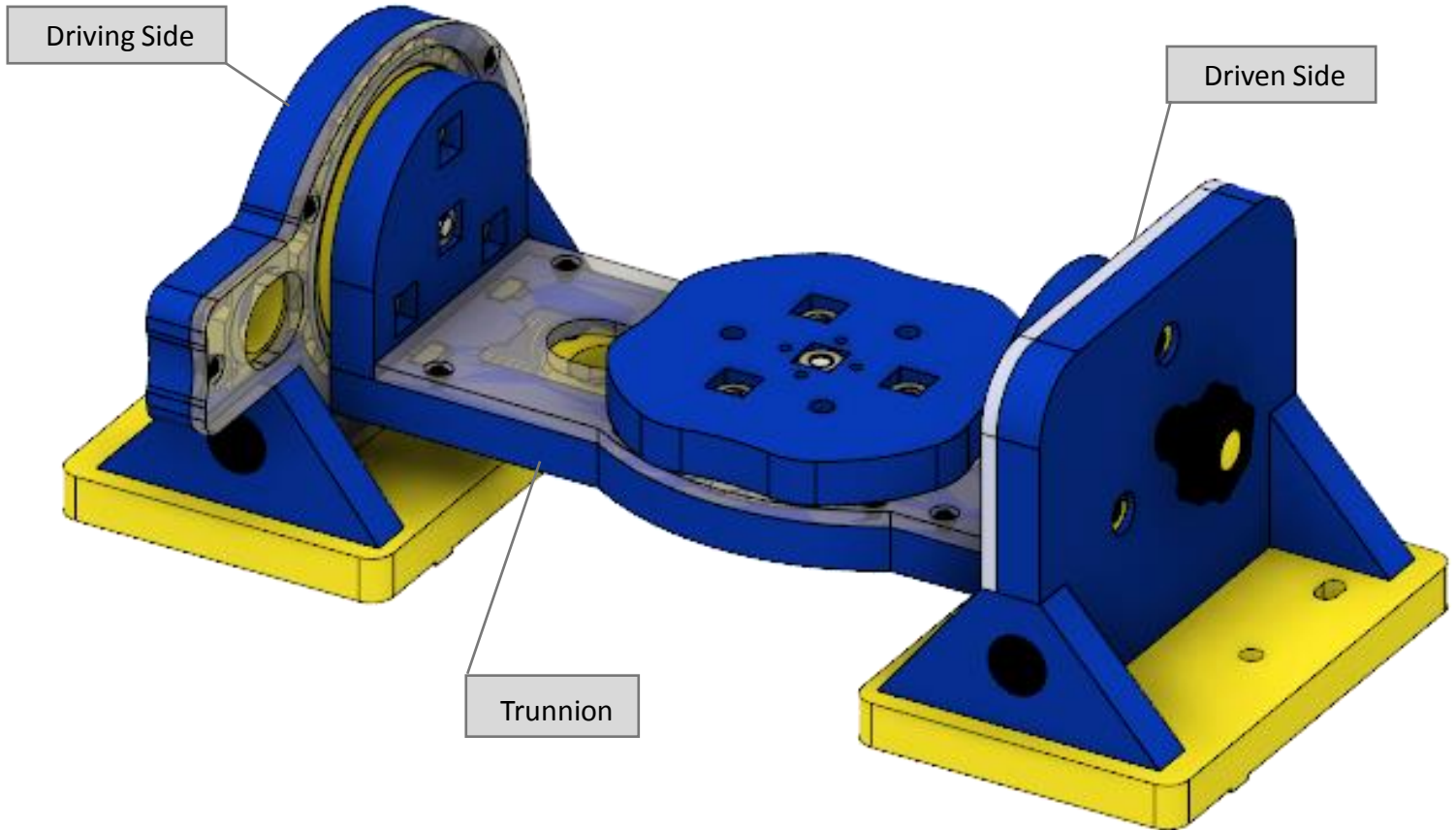
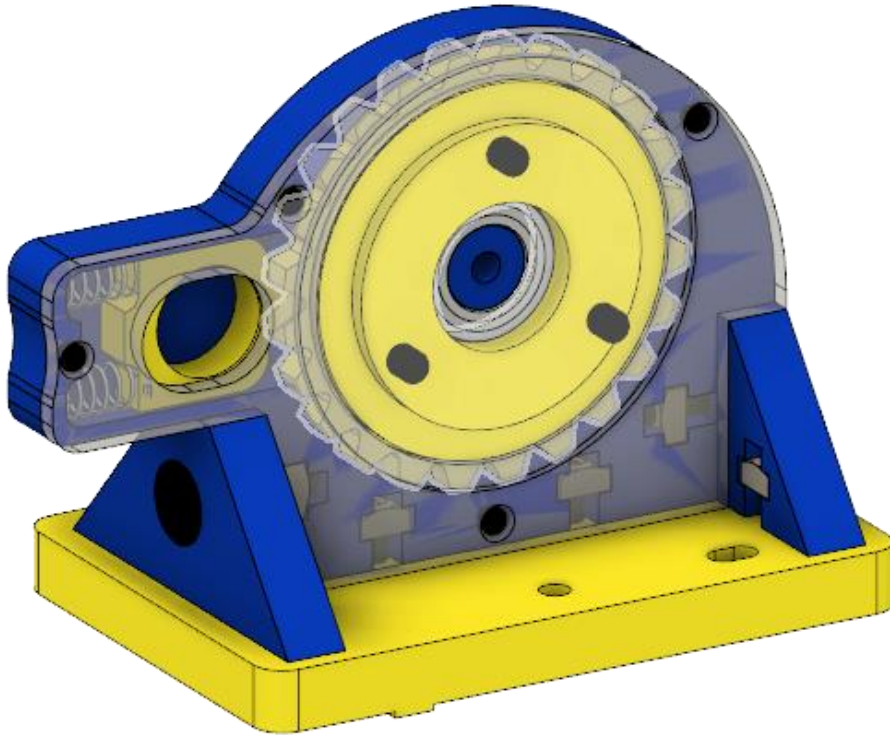


# Manual +2 Axis Accessory (004588)

## SBX 332 - Assembly

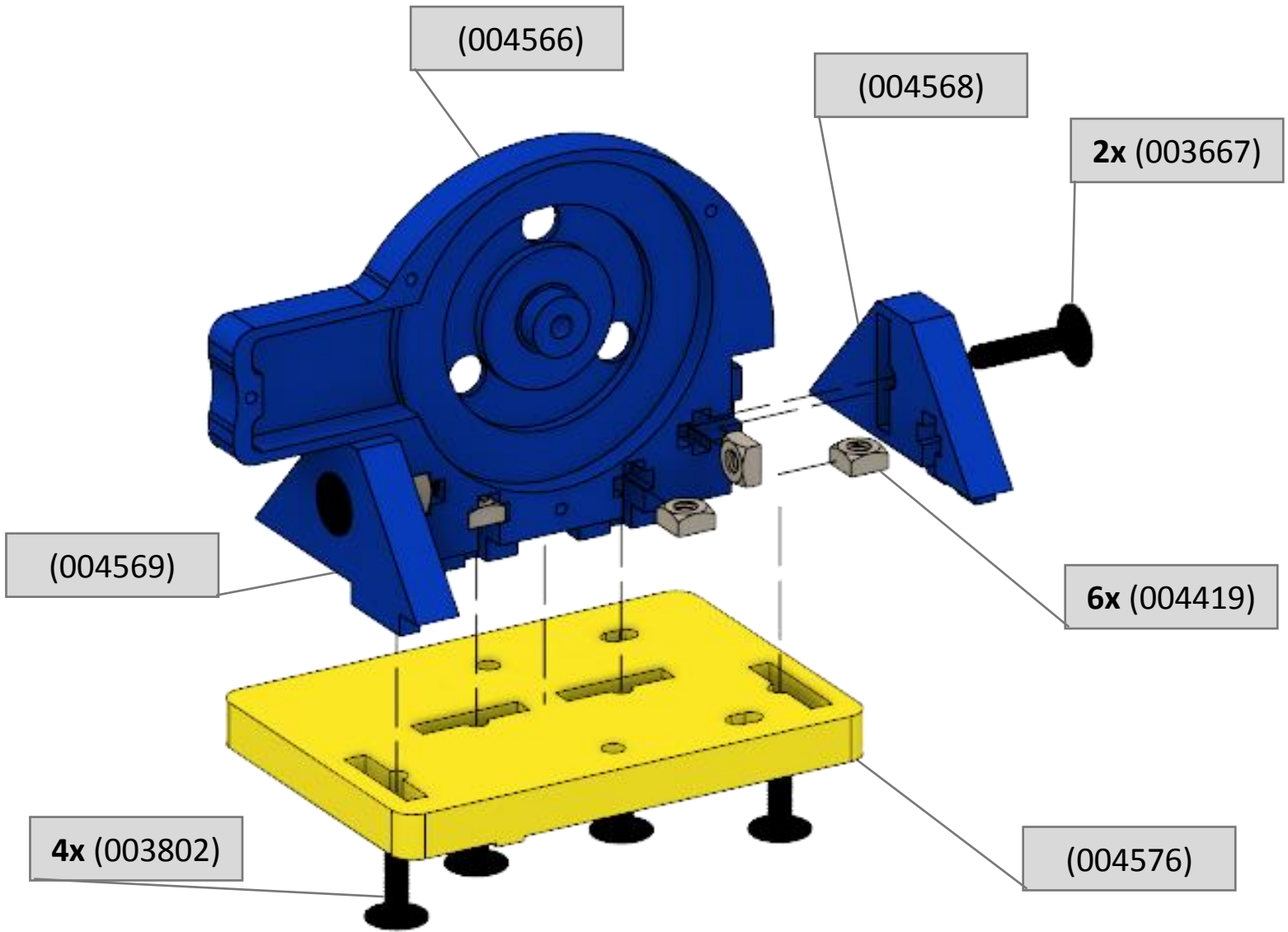


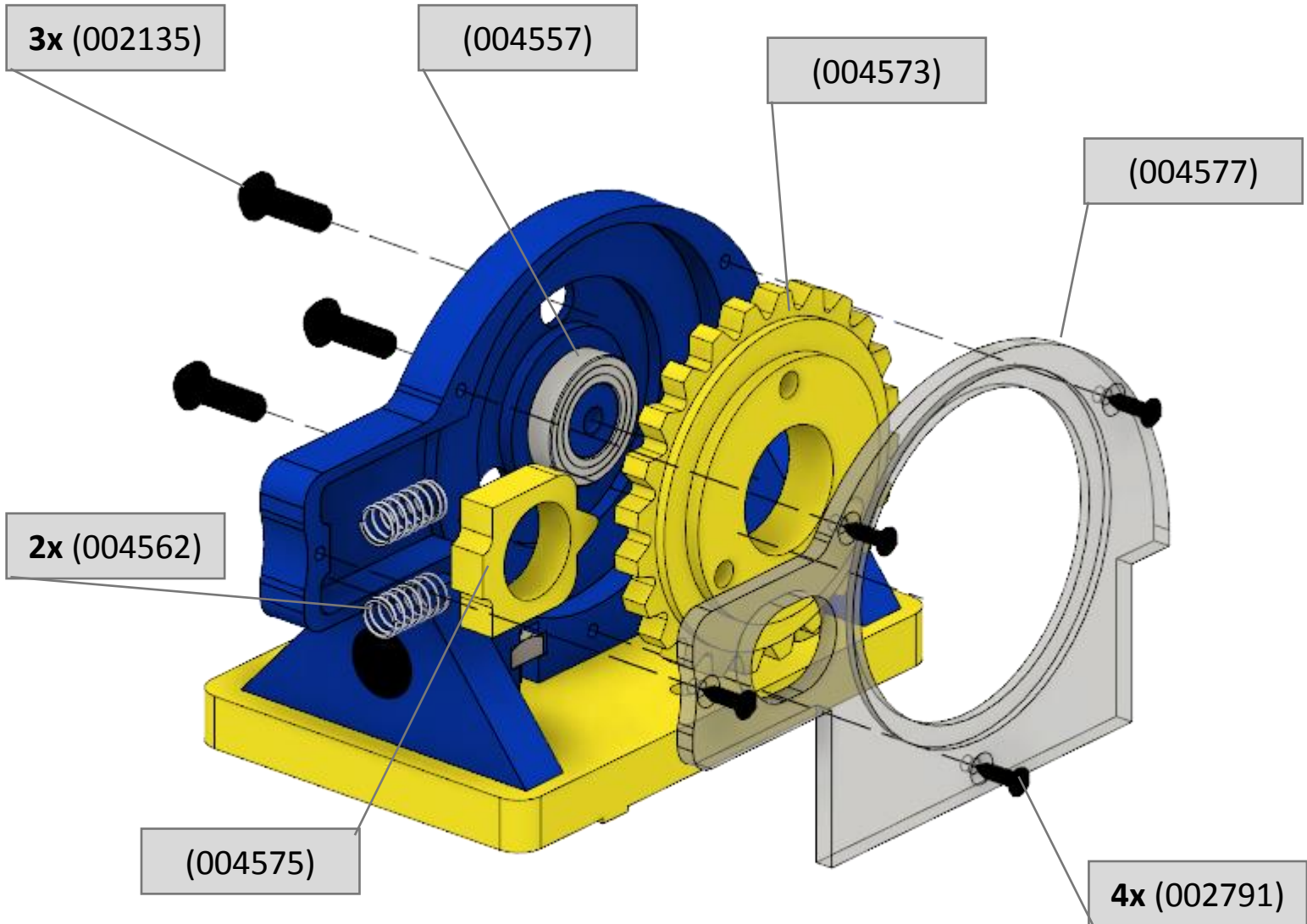
# Driving Side Subassembly



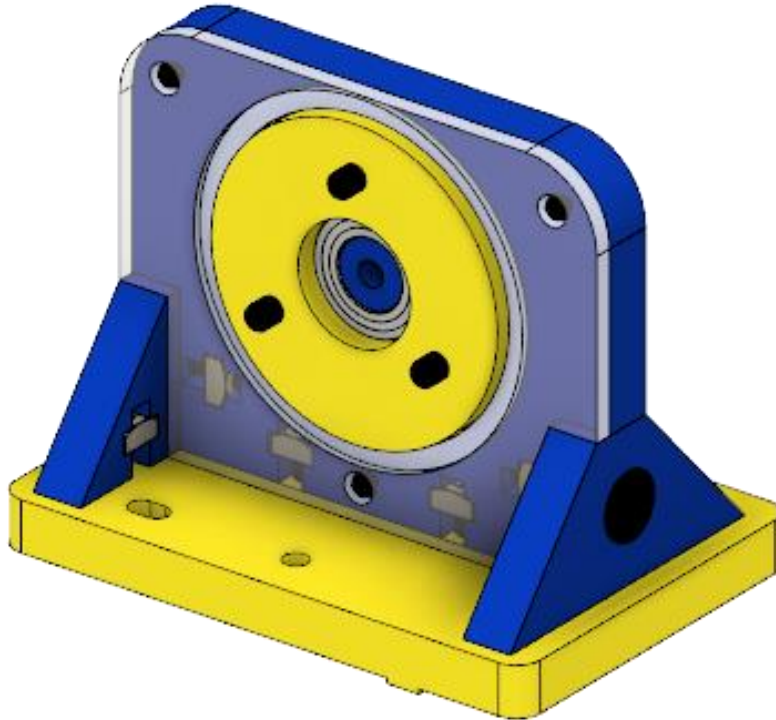
## Bill of Materials

ITEM NO.	Part #	Driven Side/QTY.
1	004568	1
2	004569	1
3	004581	1
4	004557	1
5	004567	1
6	004574	1
7	004579	1
8	002135	3
9	004419	6
10	002791	3
11	003802	4
12	003667	2



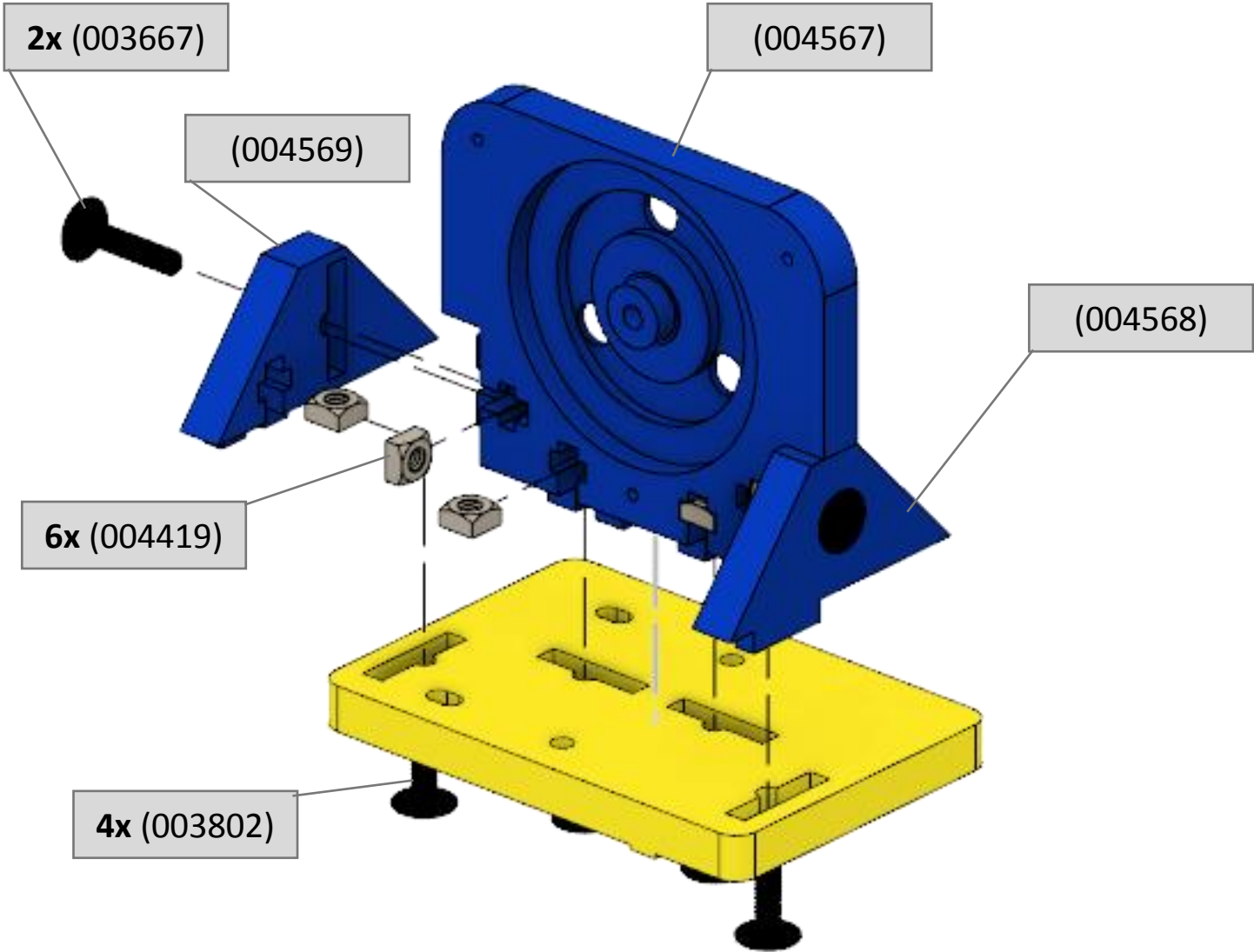


# Driven Side Subassembly

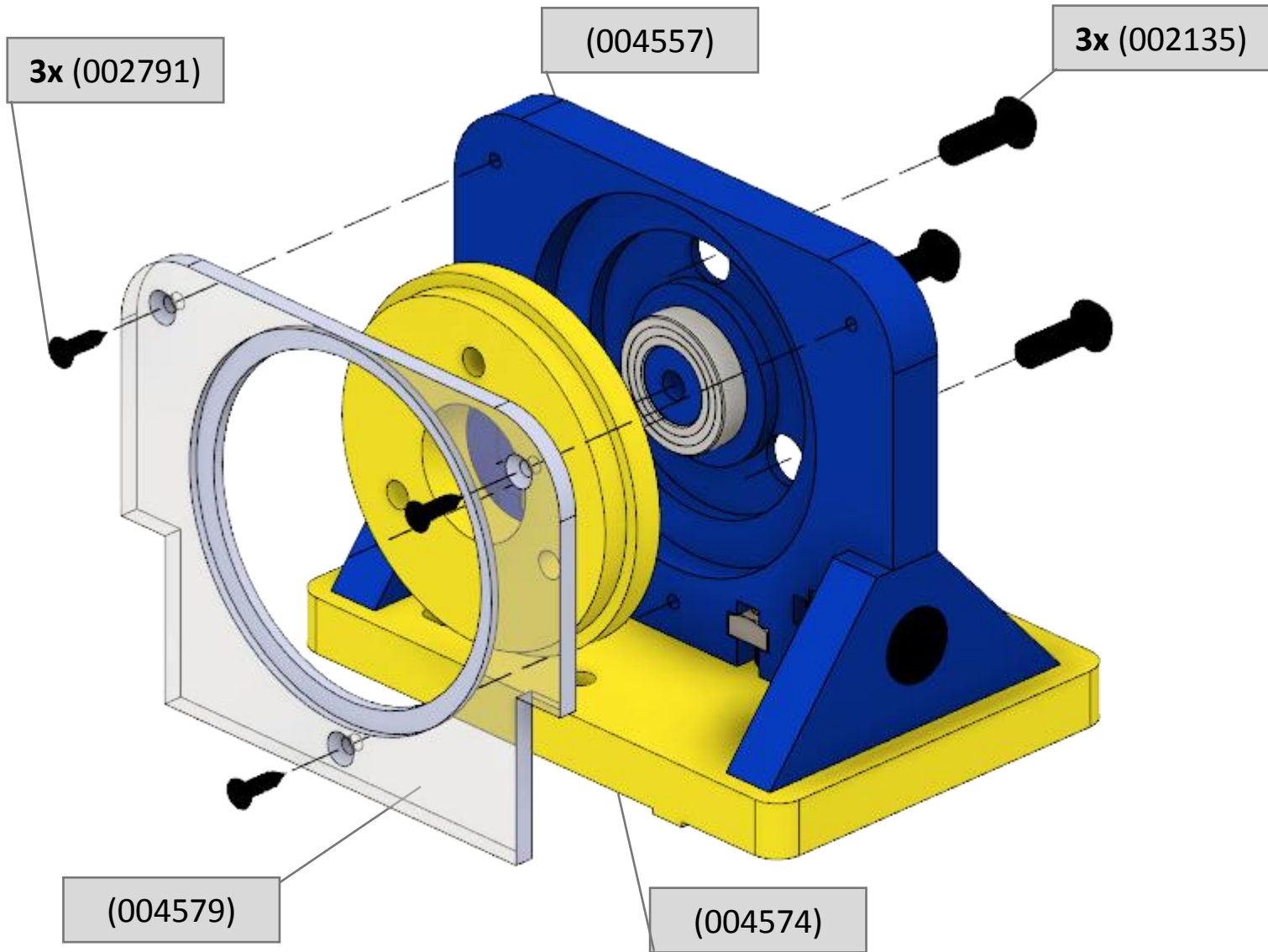


## Bill of Materials

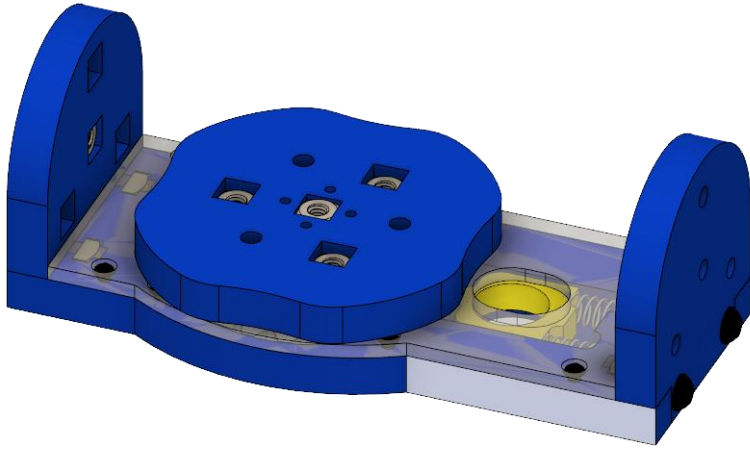
ITEM NO.	Part #	Driving Side/QTY.
1	004573	1
2	004575	1
3	004566	1
4	004568	1
5	004569	1
6	004577	1
7	004557	1
8	004576	1
9	004562	2
10	002135	3
11	004419	6
12	002791	4
13	003802	4
14	003667	2







# Trunnion Subassembly



## Bill of Materials

ITEM NO.	Part #	Trunnion/QTY.
1	004575	1
2	004580	1
3	004578	1
4	004557	1
5	004571	1
6	004570	2
7	004562	2
8	002135	7
9	004419	16
10	002791	8
11	004599	1

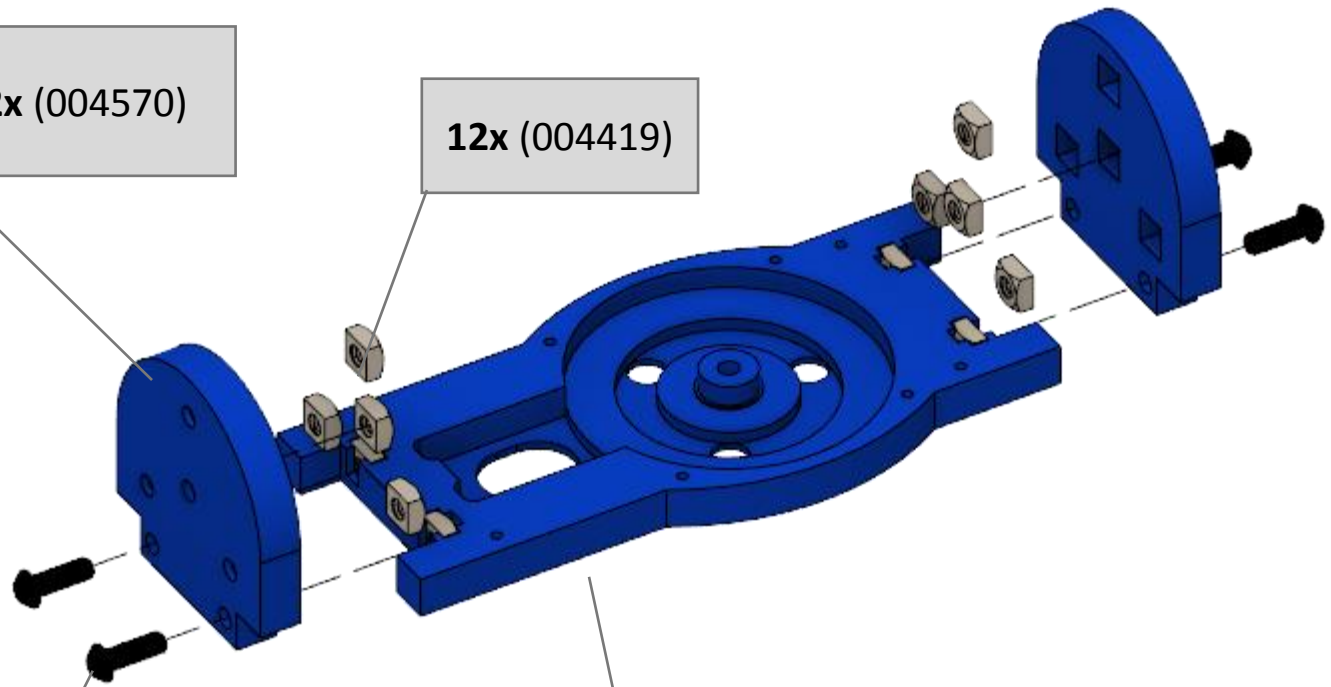


**2x** (004570)

**12x** (004419)

**4x**  
(002135)

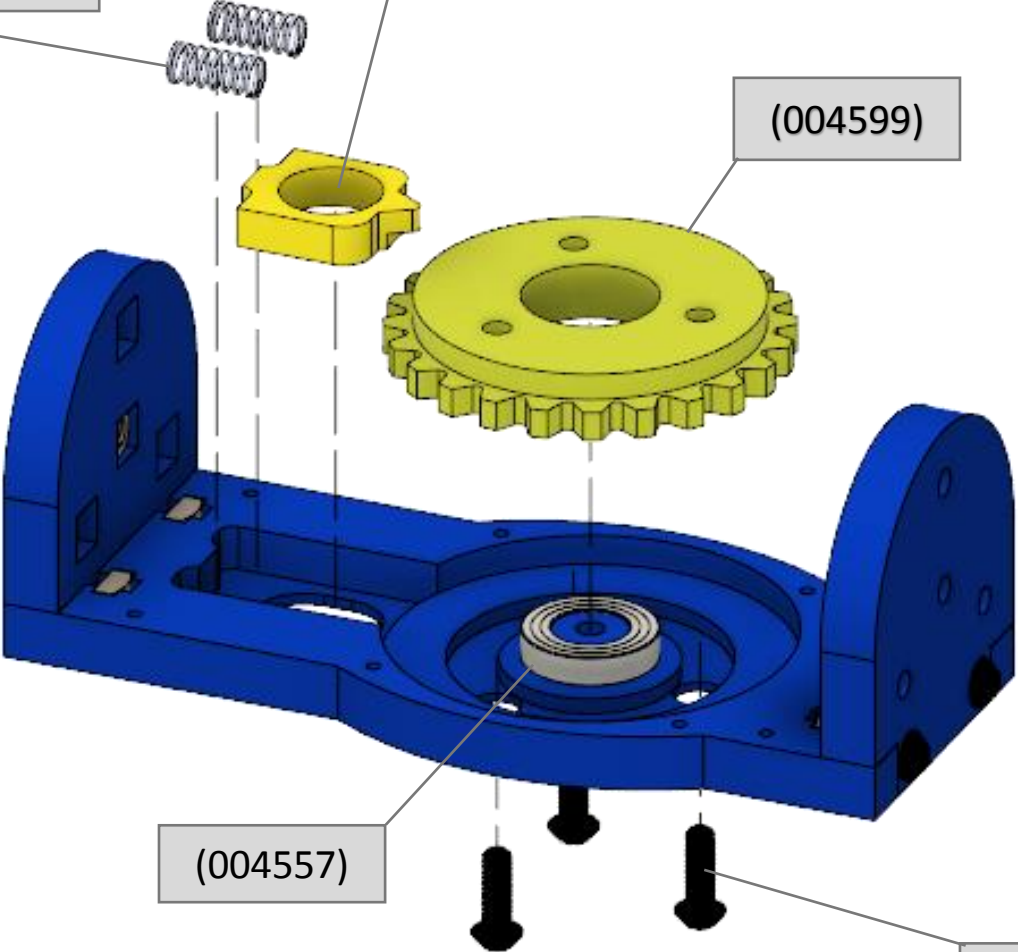
(004580)



2x (004562)

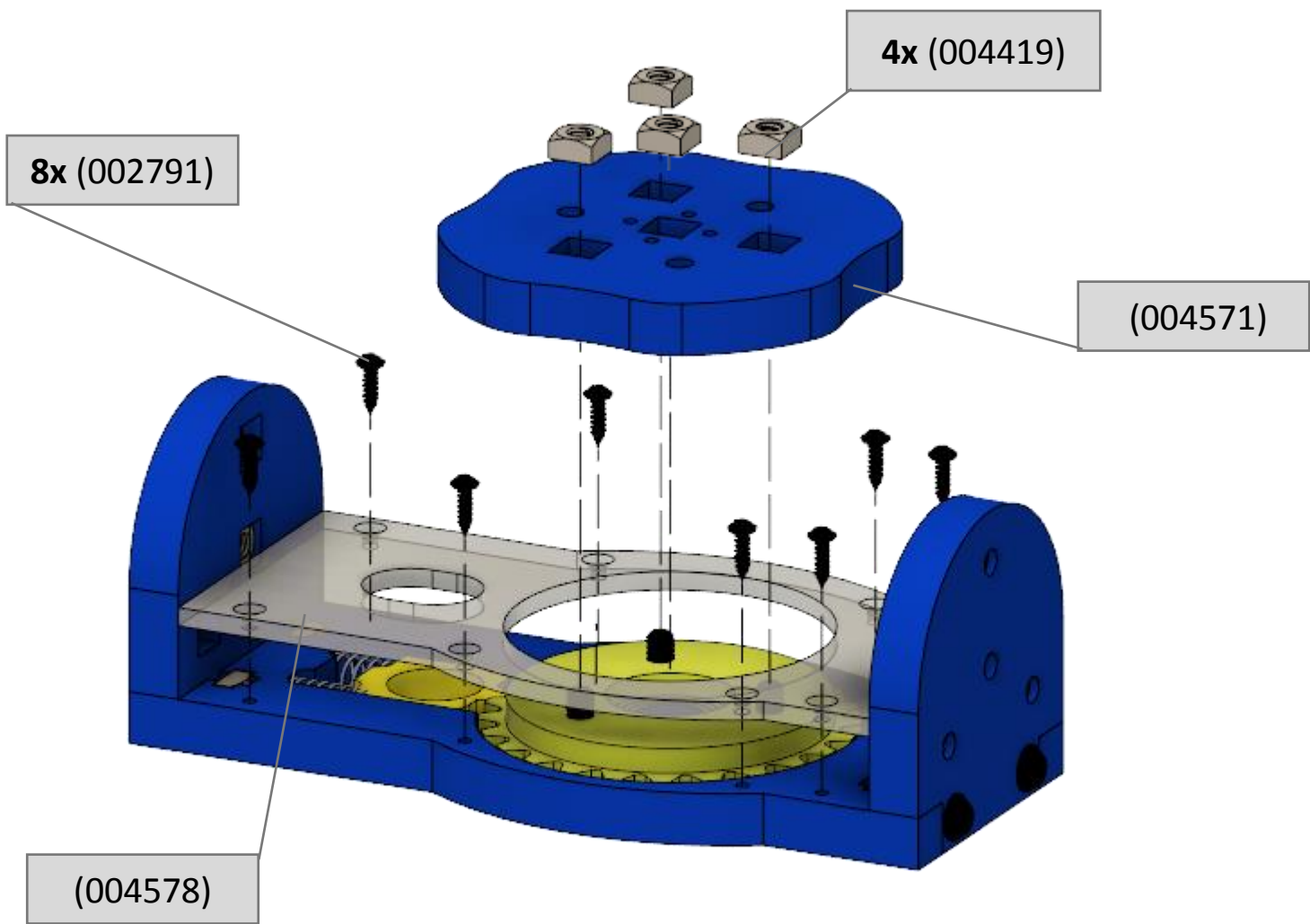
(004575)

(004599)

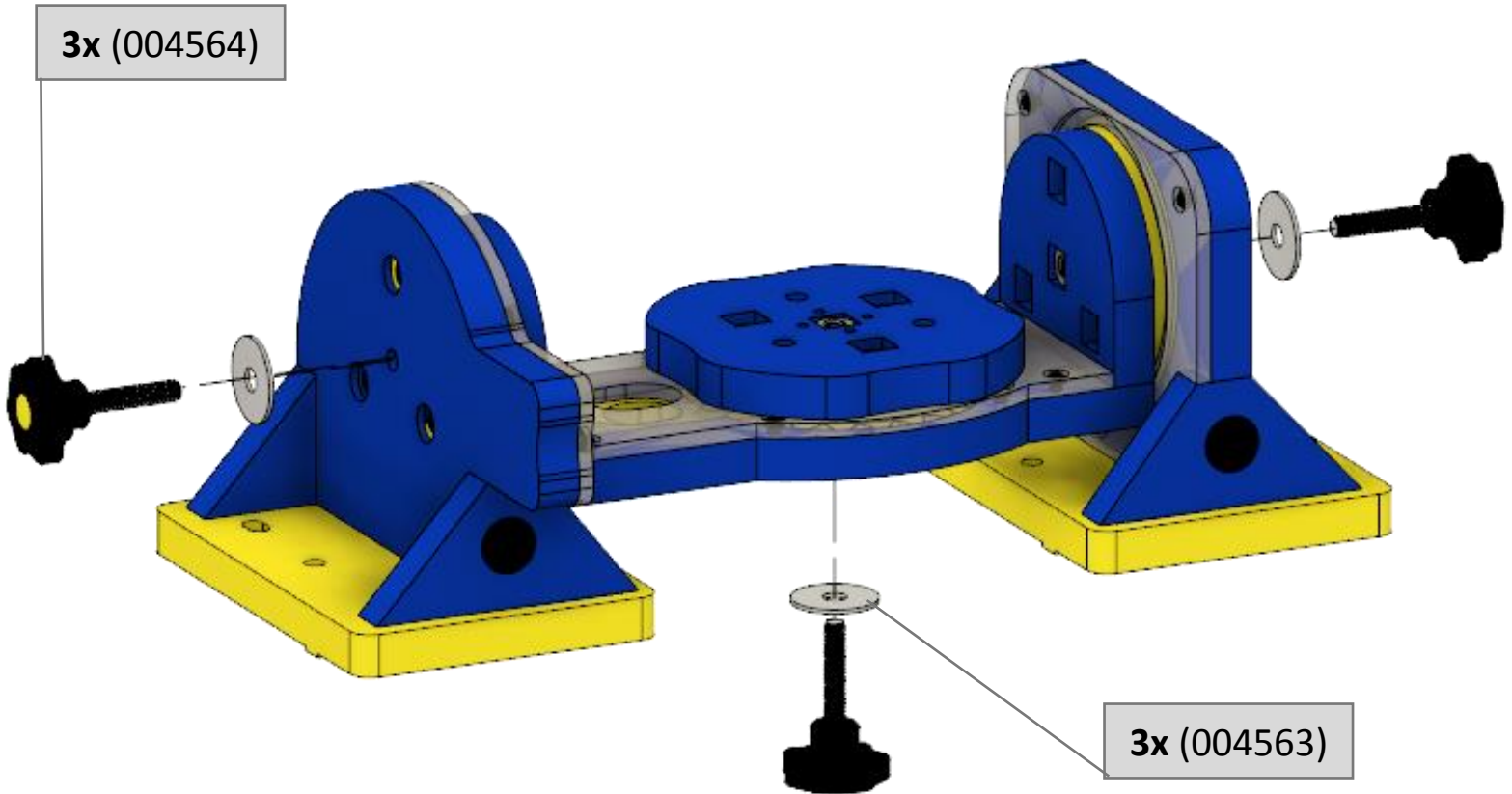


(004557)

3x (002135)



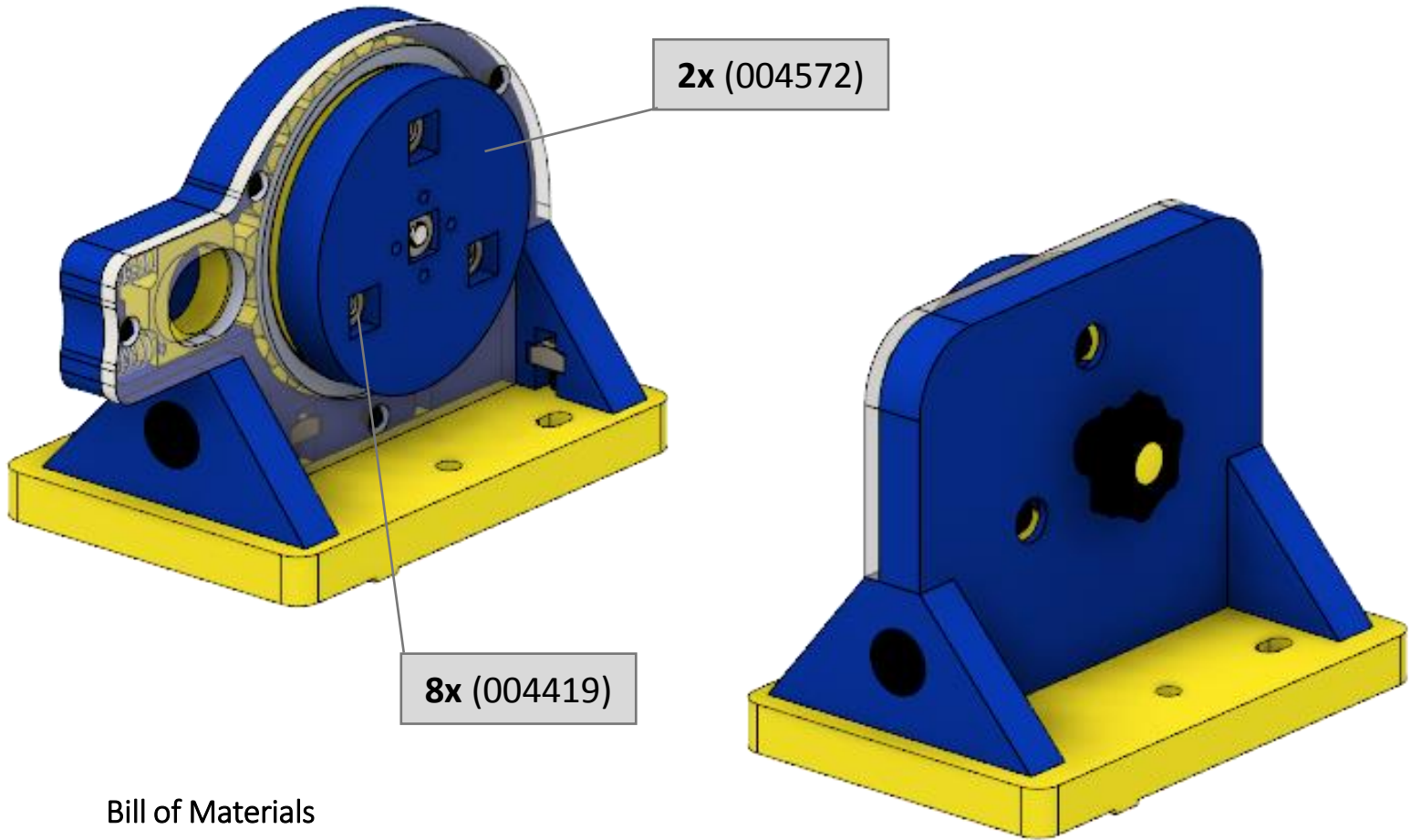
# Final Assembly



## Bill of Materials

ITEM NO.	Part #	Final Assembly /QTY.
1	004564	3
2	004563	3

# 4 Axis Configuration



## Bill of Materials

ITEM NO.	Part #	4 Axis/QTY.
1	004572	2
2	004419	8